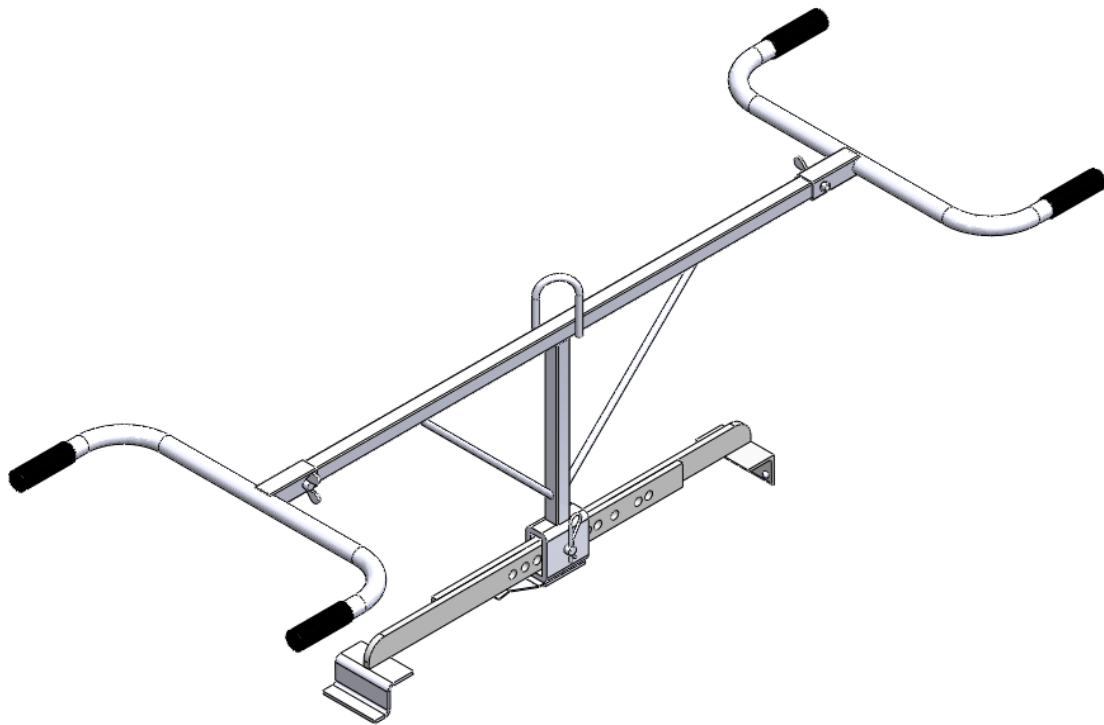


User manual of ORIT KSH-2H Kerb Stone Handle



1. Choose the needed distance
2. The next sizes can be lifted: 1080-1040-1000-950-900-850-800-750-700-650-600-550mm
3. Make sure the clamp has several cm's of extra space
4. Lift the clamp simultaneously
5. While lifting, the clamp will clamp automatically
6. The two Widia-tips provides extra grip
7. The grip depth is 40 mm
8. The own weight is 12 KG
9. The maximum weight load is 150 KG
10. CE approved

CE-declaration of conformity ORIT KSH-2H

ORIT B.V. , Bruijellestraat 8 , 5048 AE Tilburg

Herewith declares that:

ORIT kerb Stone handle type KSH-2H

Is in conformity with the provisions of the Machinery Directive and with national implementing legislation
Directive:
2006/42/EG

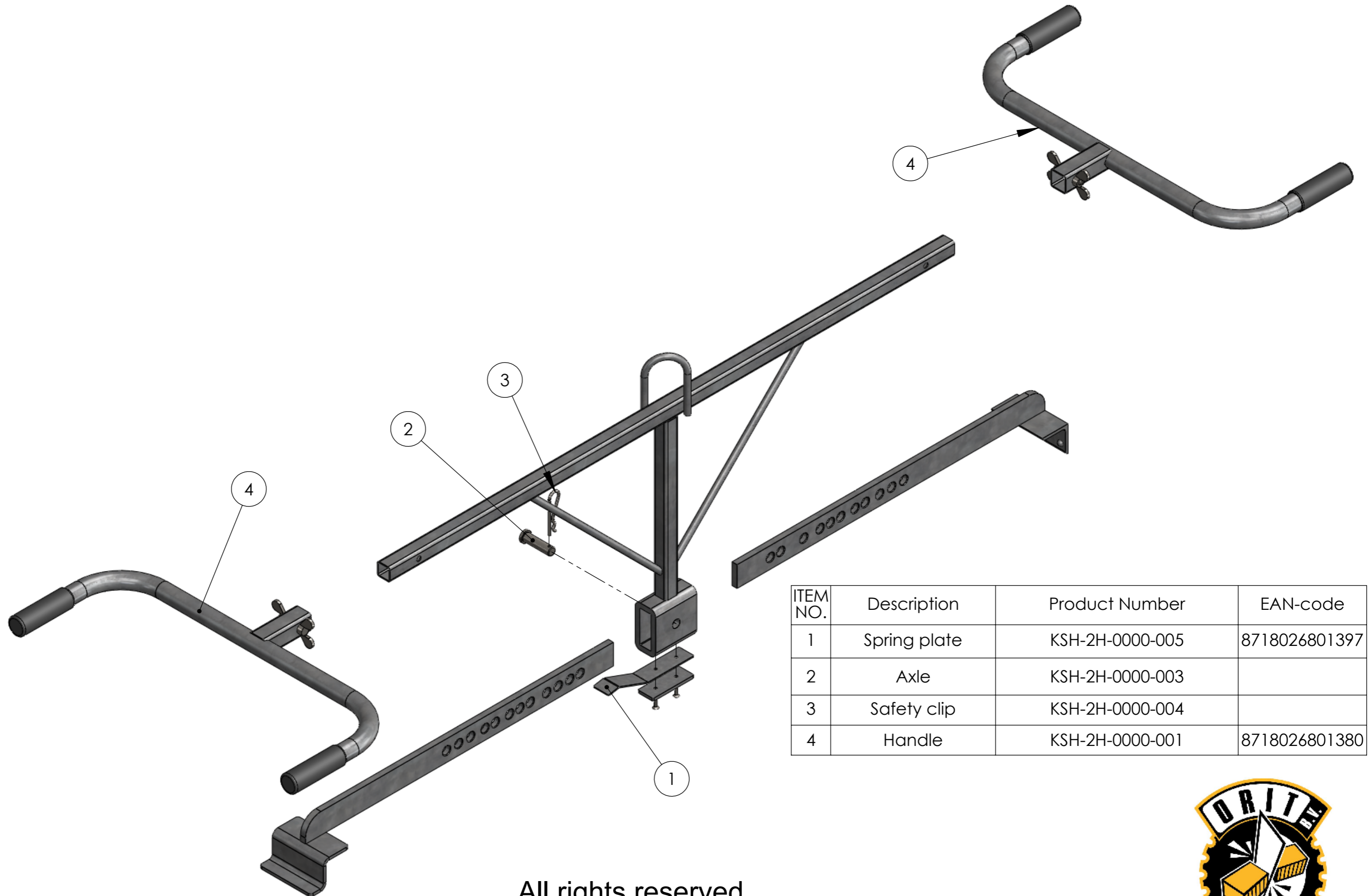
This statement is valid considering this manual

Tilburg, Friday 18 march 2011

ORIT B.V.

Drs. F.A.M. Reijnen
Director

KSH-2H-0000-000



ITEM NO.	Description	Product Number	EAN-code
1	Spring plate	KSH-2H-0000-005	8718026801397
2	Axle	KSH-2H-0000-003	
3	Safety clip	KSH-2H-0000-004	
4	Handle	KSH-2H-0000-001	8718026801380

All rights reserved.

Tel: +31 (0)13-4679128 Fax: +31 (0)13-4679127 E-mail: info@orit.nl www.orit.nl

