



# 1106102 SPIN 15 A 230V 50HZ

3226807\_1106102\_R14W - R14W (6/12/2021)



#### Access Platform Division

Via San Francesco d'Assisi, 8 - 46020 Pegognaga (Mantova) - ITALY Tel. +39 0376  
554011 - Fax +39 0376 559855

[www.imergroup.com](http://www.imergroup.com)

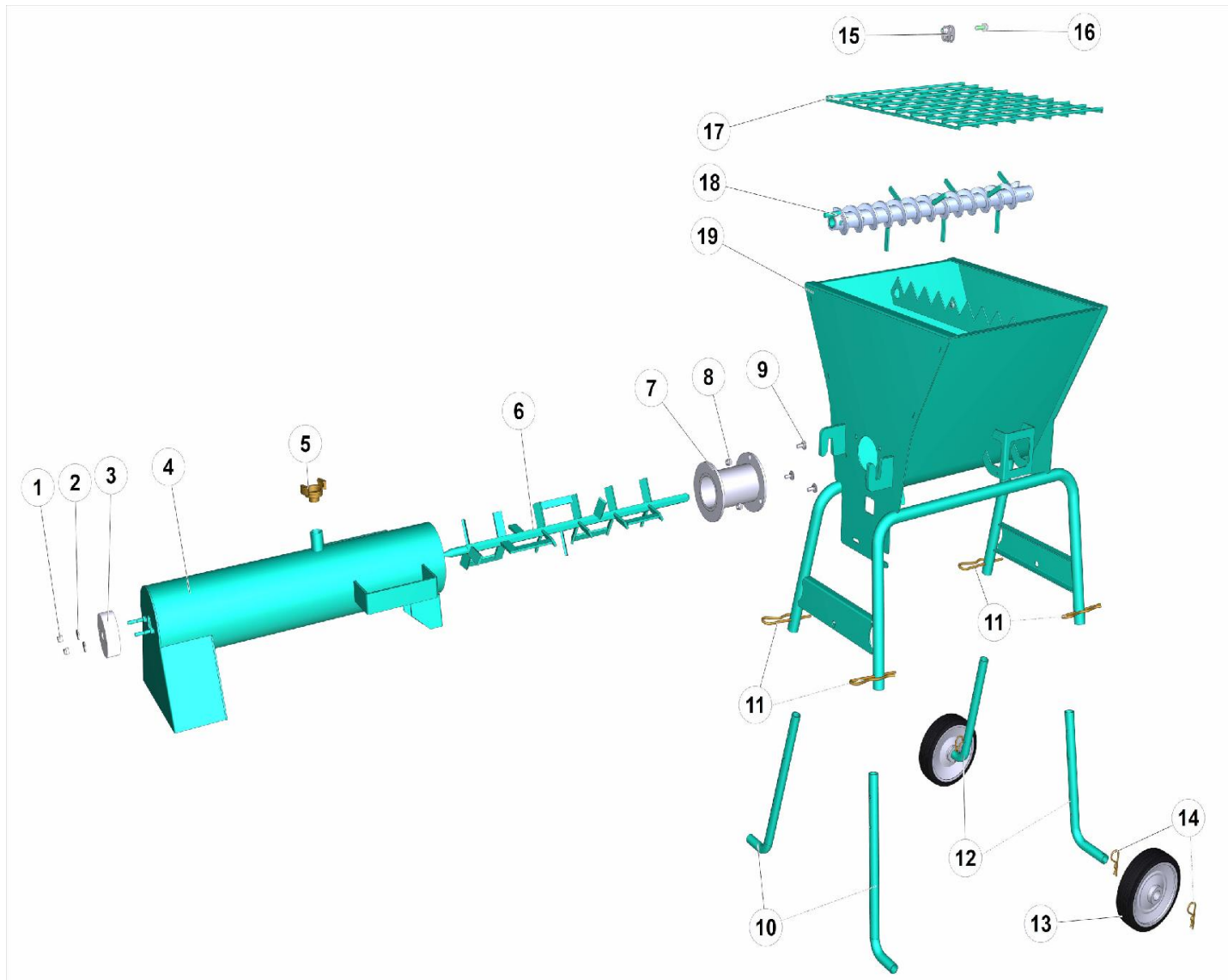
#### Building Equipment Division

Via della Meccanica, 39 (Zona Industriale Sentino) - 53040 Rapolano Terme  
(Siena) - ITALY - Tel. +39 0577 97341 - Fax +39 0577 704077

[www.imergroup.com](http://www.imergroup.com)

[www.imerglobalcustomercare.com](http://www.imerglobalcustomercare.com)

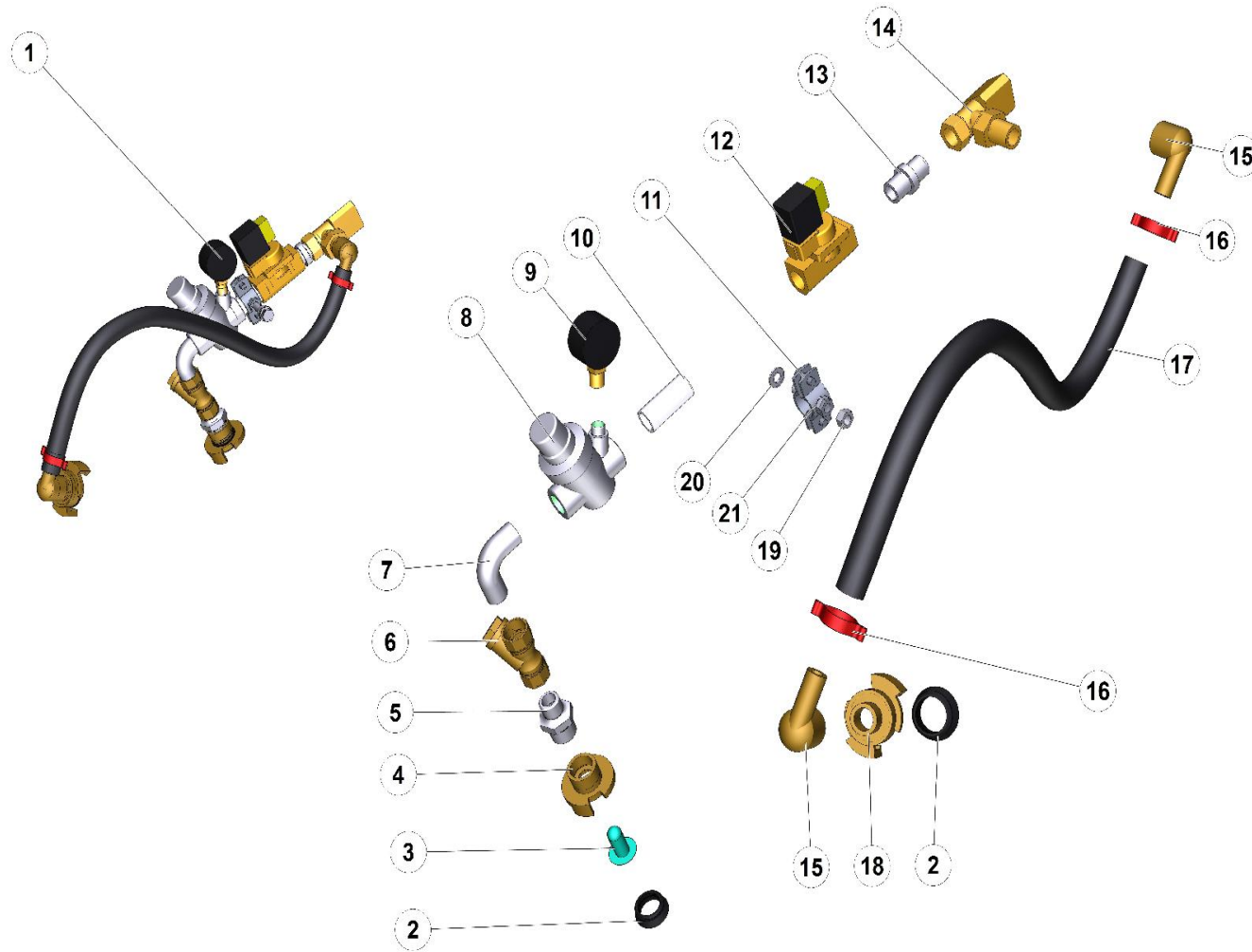
FRAME





N.	CODE	DESCRIPTION	UM	QTY
1	2223924	NUT	PZ	2
2	2224531	WASHER	PZ	2
3	3226559	SUPPORT	PZ	1
4	3226551	CHAMBER	PZ	1
5	3224203	RAPID FIXATION/SCREW PUMP	PZ	1
6	3226706	MIXER	PZ	1
7	3226708	BUSHING	PZ	1
8	2223923	LOCK NUT	PZ	3
9	3223987	SCREW TTCQ 5732-65 M8X20 Z	PZ	3
10	3226560	COLLAPSIBLE LEG	PZ	2
11	3223903	SPLIT PIN	PZ	4
12	3226561	COLLAPSIBLE LEG	PZ	2
13	3209809	WHEELS	PZ	2
14	2226700	SPLIT PIN	PZ	4
15	3236962	SPIN GRID LOCK	PZ	1
16	3230236	SCREW TE 8.8 FLANGED KNURLED 8X25 Z	PZ	1
17	3226549	GRID	PZ	1
18	3226707	SHAFT	PZ	1
19	3226550	DRUM	PZ	1

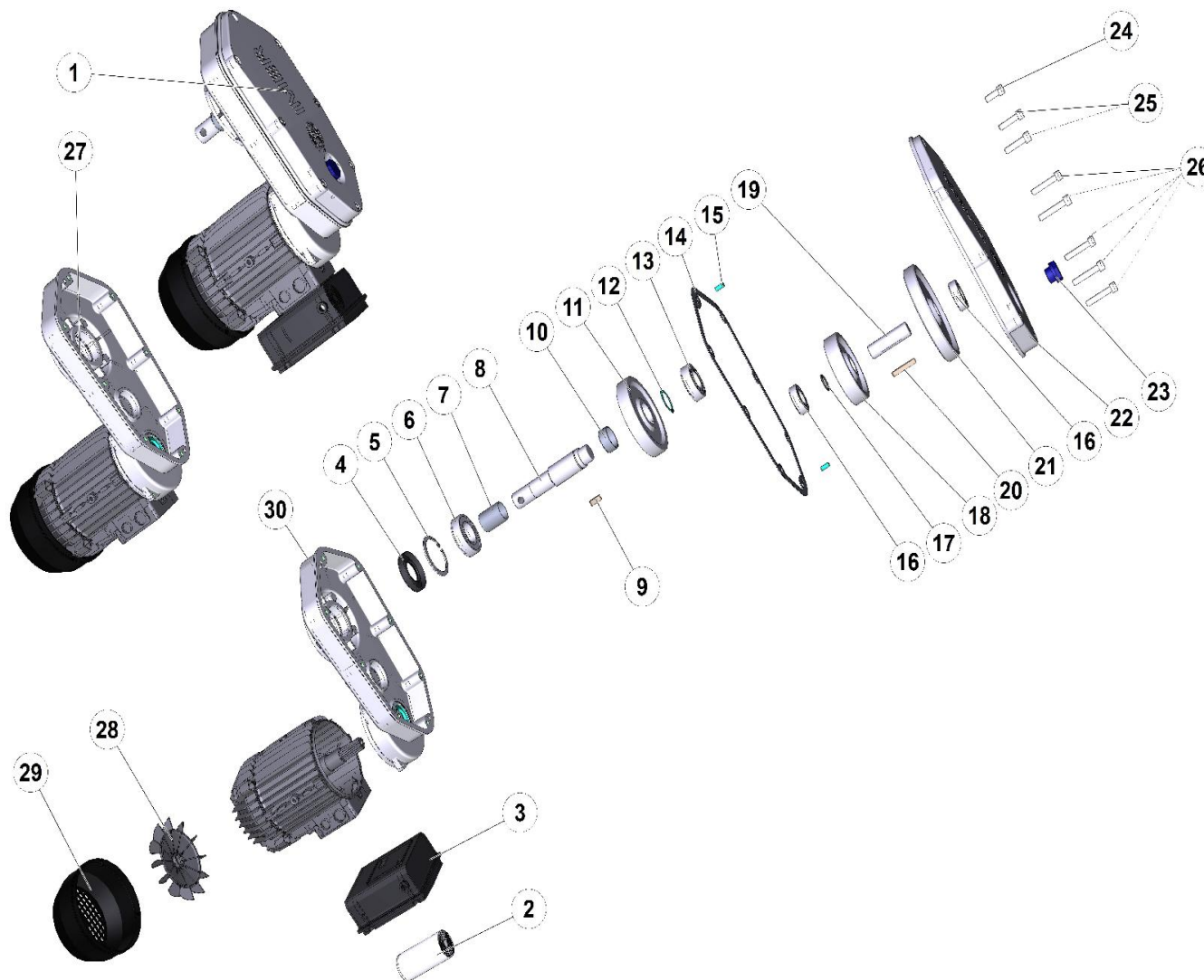
# WATER CIRCUIT





N.	CODE	DESCRIPTION	UM	QTY
1	3226665	WATER SYSTEM	PZ	1
2	3223697	GASKET/MORTAR PUMP	PZ	2
3	3223639	WATER FILTER/MORTAR PUMP	PZ	1
4	3223636	QUICK CONNECTOR	PZ	1
5	3225605	NIPPLES	PZ	1
6	3227840	FILTER	PZ	1
7	3227947	ELBOW FITTING	PZ	1
8	3228211	GEARBOX	PZ	1
9	3227182	PRESSURE GAUGE	PZ	1
10	3224381	BRANCH	PZ	1
11	3226677	COLLAR	PZ	1
12	3227839	'EV.SIRAI L182B14 1/2" ZB12A 230V'	PZ	1
13	3224362	NIPPLE	PZ	1
14	3223627	VALVE	PZ	1
15	3224580	HOSE CONNECTOR	PZ	2
16	3223638	RING CLIP	PZ	2
17	3224608	HOSE	M	1
18	3224203	RAPID FIXATION/SCREW PUMP	PZ	1
19	2223570	NUT	PZ	1
20	2224140	ROLLER 6593	PZ	1
21	2222004	SCREW/SAW	PZ	1

# GEARMOTOR



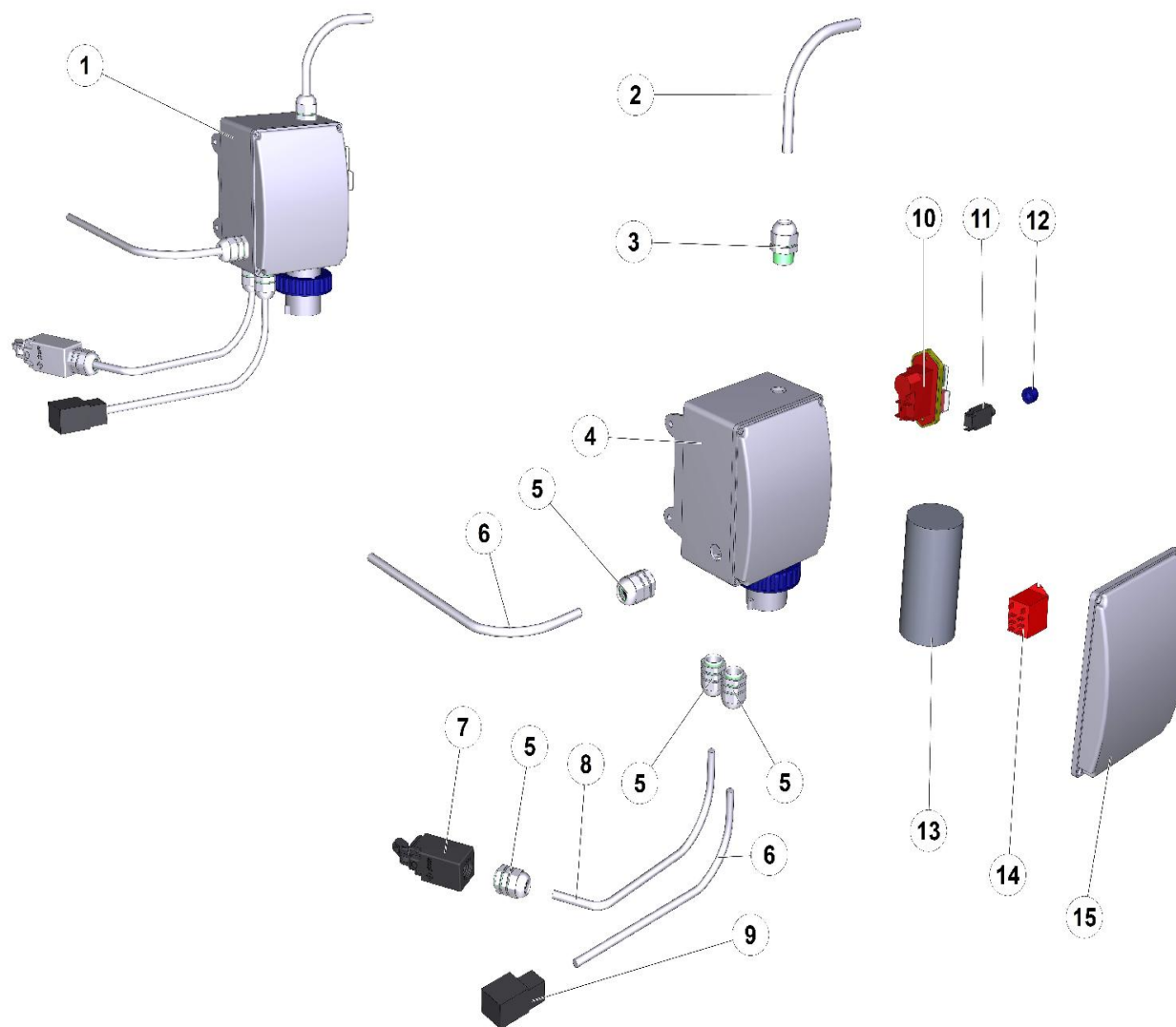


N.	CODE	DESCRIPTION	UM	QTY
1	3226628	GEARMOTOR SPIN 15 230V-50HZ	PZ	1
2	3230846	CAPACITOR START TEMP. 60MF 220/240V 50-6	PZ	1
3	3230847	ELECTRIC BOX + COVER MOTOR SPIN 15	PZ	1
4	2207490	STOP RING	PZ	1
5	2227660	STOP RING	PZ	1
6	2204220	Bearing	PZ	1
7	3226631	RING	PZ	1
8	3226623	SHAFT	PZ	1
9	2229450	KEY	PZ	1
10	3226630	SPACER	PZ	1
11	3226632	GEARING	PZ	1
12	2227240	STOP RING	PZ	1
13	2204550	Bearing	PZ	1
14	2216331	GASKET	PZ	1
15	2228820	Gudgeon pin	PZ	2
16	2204440	Bearing	PZ	2
17	2237301	SPACER	PZ	1
18	3226633	GEARING	PZ	1
19	2201130	SHAFT	PZ	1
20	2229327	KEY	PZ	1
21	3234947	GEARING		1



N.	CODE	DESCRIPTION	UM	QTY
22	3225254	GEARMOTOR FLANGE	PZ	1
23	2235420	level	PZ	1
24	2222509	SCREW	PZ	1
25	2222513	SCREW	PZ	2
26	2222514	SCREW	PZ	5
27	3234584	ELECTRIC MOTOR 1.4KW 220-240V50HZ SPIN 1	PZ	1
28	2291453	FAN	PZ	1
29	3209369	Fan cover	PZ	1
30	3226627	SHELL	PZ	1

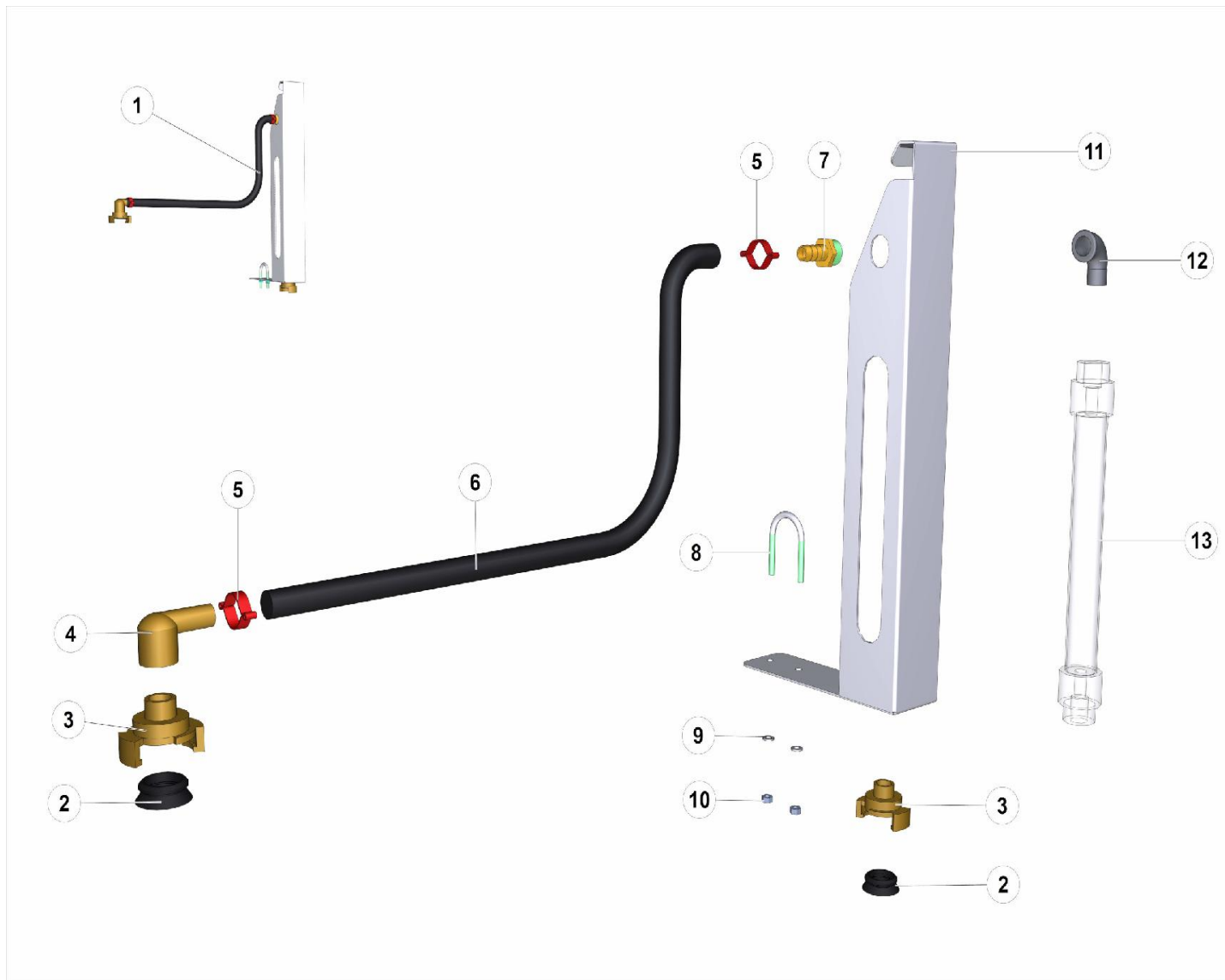
# ELECTRIC PANEL





N.	CODE	DESCRIPTION	UM	QTY
1	3227334	ELECTRICAL SYSTEM SPIN 15-A 230V-50/60Hz	PZ	1
2	2277798	NEOPRENE CABLE H07RNF5X1,5L85		1
3	1283940	CABLE CLAMP	PZ	1
4	3234051	SPIN 15 COMPLETE ELECTRICAL BOX WITH PLU	PZ	1
5	1283924	CABLE CLAMP	PZ	4
6	2277650	CABLE	M	2
7	3214791	Limit switch	PZ	1
8	2277645	NEOPRENE CABLE H07RNF 2X1,5	M	1
9	3226204	CONNECTOR	PZ	1
10	3209337	SWITCH	PZ	1
11	2283239	SWITCH	PZ	1
12	2283243	SWITCH COVER/SAW	PZ	1
13	3209504	CONDENSER	PZ	1
14	3227335	RELAY	PZ	1
15	3226046	COVER	PZ	1

# FLOW METER KIT





N.	CODE	DESCRIPTION	UM	QTY
1	1107601			1
2	3223697	GASKET/MORTAR PUMP	PZ	2
3	3224203	RAPID FIXATION/SCREW PUMP	PZ	2
4	3224580	HOSE CONNECTOR	PZ	1
5	3223638	RING CLIP	PZ	2
6	3224579	WATER HOSE	PZ	1
7	3223613	HOSE CLAMP/SCREW PUMP	PZ	1
8	3227431	GANTRY	PZ	1
9	2224530	ROLLER/MN	PZ	2
10	2223280	NUT	PZ	2
11	3230844	SPIN 15 FLOW METER SUPPORT	PZ	1
12	3224351	ELBOW FITTING	PZ	1
13	3223633	FLOW METER	PZ	1

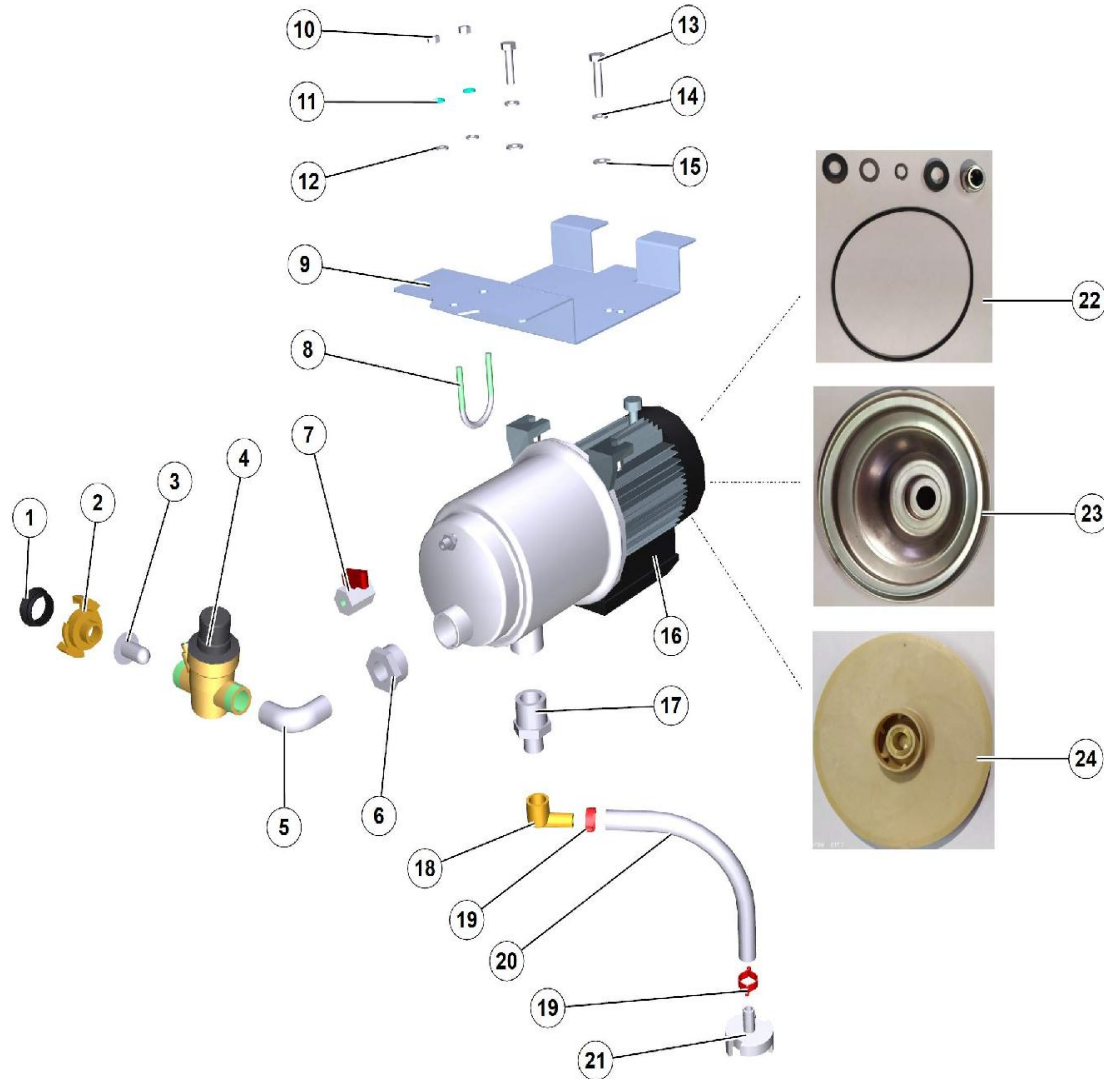
WATER HOSE





N.	CODE	DESCRIPTION	UM	QTY
1	3227714	TUBE	PZ	1
2	3223706	WATER HOSE	PZ	1

# WATER PUMP



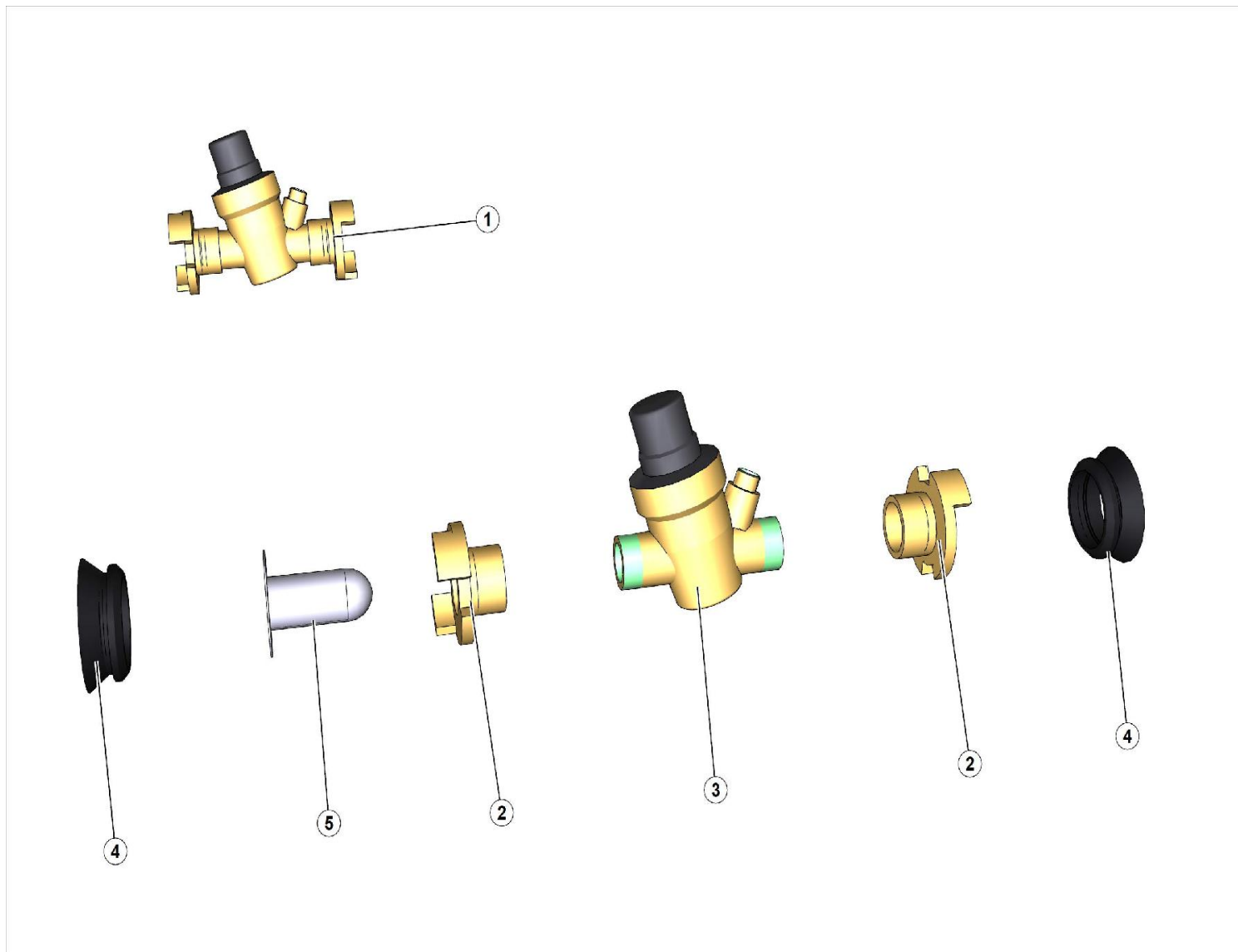


N.	CODE	DESCRIPTION	UM	QTY
1	3223697	GASKET/MORTAR PUMP	PZ	1
2	3223636	QUICK CONNECTOR	PZ	1
3	3223639	WATER FILTER/MORTAR PUMP	PZ	1
4	3228211	GEARBOX	PZ	1
5	3227947	ELBOW FITTING	PZ	1
6	3224591	REDUCTION	PZ	1
7	3223620	VALVE	PZ	1
8	3227431	GANTRY	PZ	1
9	3227387	PLATE	PZ	1
10	2223280	NUT	PZ	2
11	2224055	ROLLER	PZ	2
12	2224530	ROLLER/MN	PZ	2
13	2222006	SCREW	PZ	2
14	2224060	ROLLER GROWER	PZ	2
15	2224140	ROLLER 6593	PZ	2
16	3227460	PUMP	PZ	1
17	3224349	NIPPLE	PZ	1
18	3224580	HOSE CONNECTOR	PZ	1
19	3227824	BAND RING	PZ	2
20	3224608	HOSE	M	1
21	3223615	RAPID CONNECTION/SCREW PUMP	PZ	1



N.	CODE	DESCRIPTION	UM	QTY
22	3234481	XJM61C PUMP MECHANICAL SEAL KIT	PZ	1
23	3238786	XJM61 CD PUMP SEAL HOLDER. 616008	PZ	1
24	3234529	3.02.13.03.131 IMPELLER (PUMP XJM61C)	PZ	1

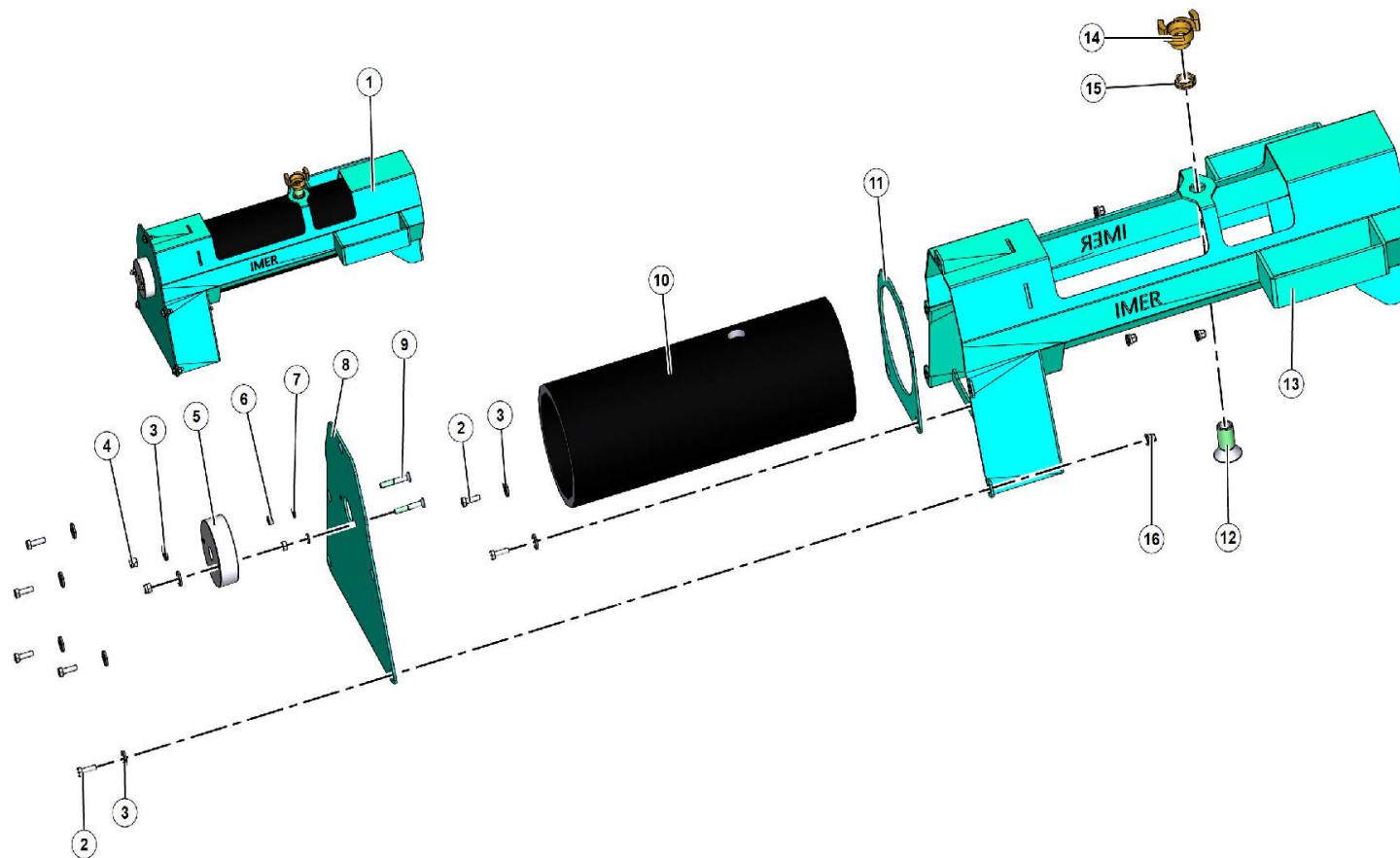
# KIT REDUCTION PRESSURE UNIT





N.	CODE	DESCRIPTION	UM	QTY
1	1106517			1
2	3223636	QUICK CONNECTOR	PZ	2
3	3228211	GEARBOX	PZ	1
4	3223697	GASKET/MORTAR PUMP	PZ	2
5	3223639	WATER FILTER/MORTAR PUMP	PZ	1

# MIXING CHAMBER SPIN15A Z-CLEAN





N.	CODE	DESCRIPTION	UM	QTY
1	1106154	MIXING CHAMBER SPIN15A Z-CLEAN		1
2	2222016	SCREW	PZ	7
3	2224531	WASHER	PZ	9
4	2223924	NUT	PZ	2
5	3226559	SUPPORT	PZ	1
6	2223280	NUT	PZ	2
7	2224055	ROLLER	PZ	2
8	3238770	CARTER BODY	PZ	1
9	3227211	SCREW TSPEI 5933 6X40 z		1
10	3238774	CARTER BODY	PZ	1
11	3238768	CARTER BODY	PZ	1
12	3238773	CARTER BODY	PZ	1
13	3238766	CARTER BODY	PZ	1
14	3224382	QUICK COUPLING	PZ	1
15	3223730	FLANGED RINGNUT	PZ	1
16	3231185	M6 THREADED INSERT HEX SEAT	PZ	5



**Access Platform Division**

Via San Francesco d'Assisi, 8 - 46020 Pegognaga (Mantova) - ITALY Tel. +39 0376  
554011 - Fax +39 0376 559855

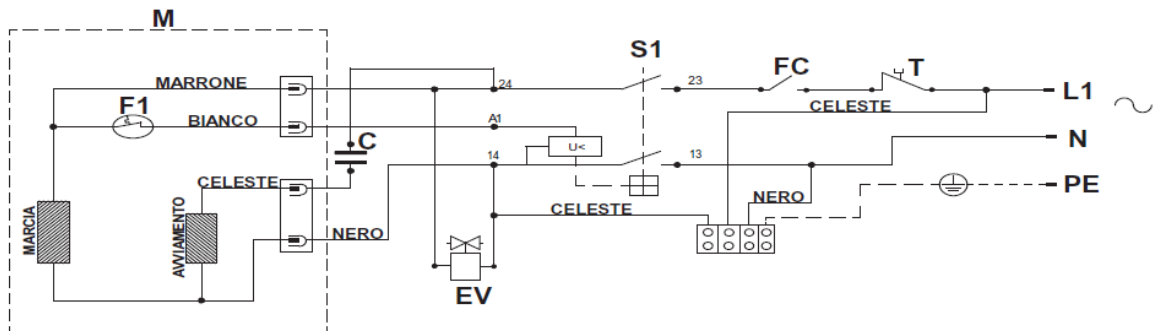
[www.imergroup.com](http://www.imergroup.com)

**Building Equipment Division**

Via della Meccanica, 39 (Zona Industriale Sentino) - 53040 Rapolano Terme  
(Siena) - ITALY - Tel. +39 0577 97341 - Fax +39 0577 704077

[www.imergroup.com](http://www.imergroup.com)

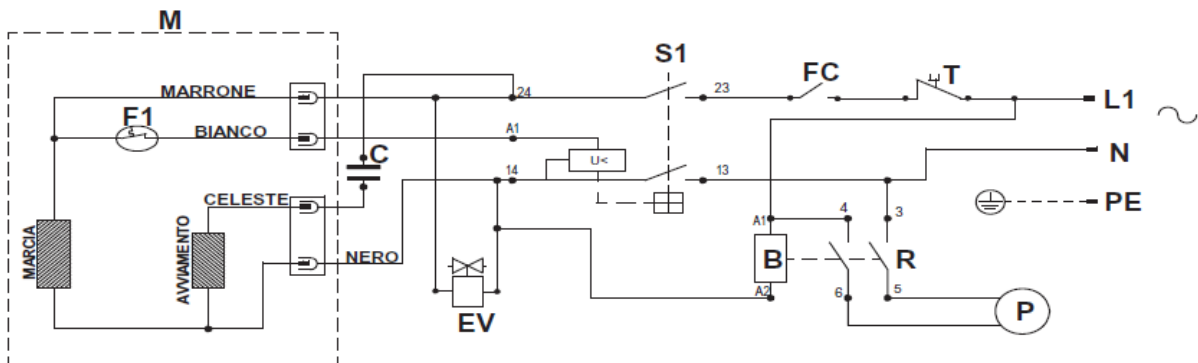
SPIN 15 230 50HZ COD.1106101 - SPIN 15 220 60HZ COD.1106102



PE - CONDUTTORE DI PROTEZIONE  
 N - CONDUTTORE NEUTRO  
 L1 - CONDUTTORE DI LINEA  
 T - INTERRUTTORE TERMICO  
 FC - FINECORSA  
 S1 - INTERRUTTORE  
 EV - ELETTROVALVOLA  
 C - CONDENSATORE  
 F1 - PROTEZIONE TERMICA MOTORE  
 M - MOTORE ELETTRICO

PE - Skyddsledare  
 N - Neutralledare  
 L1 - Fasledare  
 T - Termisk skydds brytare  
 FC - Gränsläges brytare  
 S1 - Strömbrytare  
 EV - Magnetventil  
 C - Kondensator  
 F1 - Termisk motorskydds brytare  
 M - Elmotor

SPIN 15-A CON POMPA ACQUA - WITH WATER PUMP - AVEC POMPE - MIT PUMPE - CON BOMBA  
 230V-50HZ COD.1106102 - 220V 60HZ COD.1106103



PE - CONDUTTORE DI PROTEZIONE  
 N - CONDUTTORE NEUTRO  
 L1 - CONDUTTORE DI LINEA  
 T - INTERRUTTORE TERMICO  
 FC - FINECORSA  
 S1 - INTERRUTTORE  
 EV - ELETTROVALVOLA  
 C - CONDENSATORE  
 F1 - PROTEZIONE TERMICA MOTORE  
 M - MOTORE ELETTRICO  
 B - BOBINA RELE'  
 R - RELE'  
 P - POMPA ACQUA

PE - Skyddsledare  
 N - Neutralledare  
 L1 - Fasledare  
 T - Termisk skydds brytare  
 FC - Gränsläges brytare  
 S1 - Strömbrytare  
 EV - Magnetventil  
 C - Kondensator  
 F1 - Termisk motorskydds brytare  
 M - Elmotor  
 B - Reläspole  
 R - Relä  
 P - Vattenpump

Marrone - Brun

Bianco - Vit

Celeste - Blå

Nero - Svart

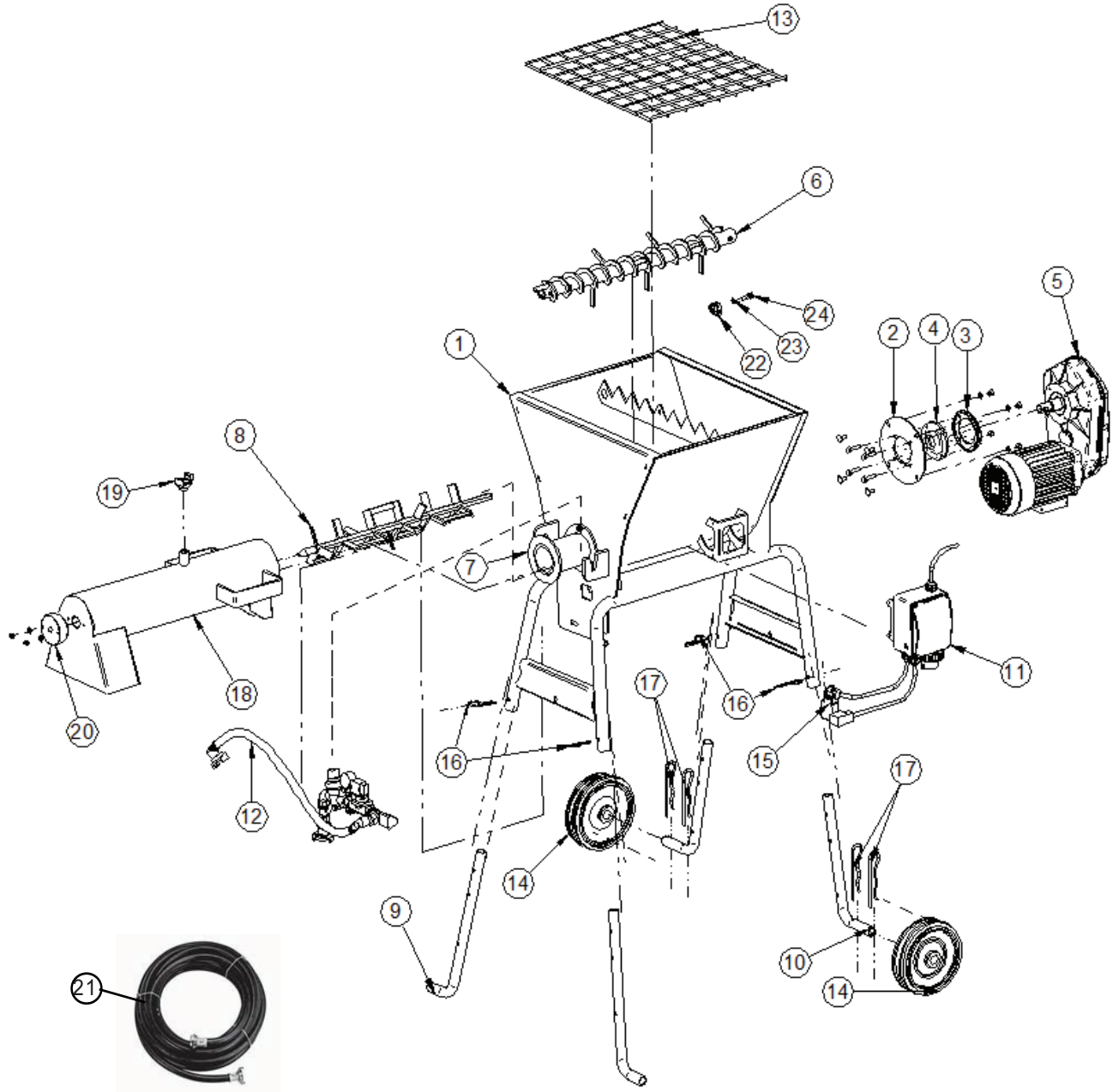
Marcia - Drift

Awiamiento - start

*RICAMBI  
PIÈCES DÉTACHÉES  
SPARE PARTS  
ERSATZTEILE  
REPUESTOS*

3226807\_R13W 2020-10

Fig.1 Tav.1





TAV.1 STRUTTURA MACCHINA - STRUCTURE DE LA MACHINE - MACHINE STRUCTURE - MASCHINENSTRUKTUR - ESTRUCTURA DE LA MAQUINA							
Rif.	Cod.	I	F	GB	D	E	NOTE
1	3226550	TELAIO	CHÂSSIS	FRAME	RAHMEN	BASTIDOR	
2	3226555	RINFORZO PER MOTORIDUTTORE	RENFORCEMENT MOTOREDUCTEUR	ENHANCEMENT FOR GEARMOTOR	BESCHLAG GETRIEBE-MOTOR	CONSOLIDACION POR MOTOREDUCTOR	
3	3224231	FLANGIA GUARNIZIONE	BRIDE JOINT	SEAL FLANGE	DICHTUNGSFLANSCH	BRIDA DE LA JUNTA	
4	3226558	GUARNIZIONE	JOINT	SEAL	DICHTUNG	GUARNICIÓN	D143
5	3226628	MOTORIDUTTORE	MOTORÉDUCTEUR	GEARMOTOR	GETRIEBEMOTOR	MOTORREDUCTOR	230V/50HZ
	3229755						220V/60HZ
6.A	3226707	COCLEA	VIS SANS FIN	AUGER	SCHNECKE	TORNILLO SIN FIN	1106100-1106101-1106102 1106103-1106106
6.B	3230307	COCLEA	VIS SANS FIN	AUGER	SCHNECKE	TORNILLO SIN FIN	1106104-1106105
7	3226708	BOCCOLA CAMERA DI MISCELAZIONE	DOUILLE CHAMBRE MALAXAGE	MIXING CHAMBER BUSHING	MISCHKAMMERBUCHSE	CASQUILLO CAMARA DE MEZCLADO	
8	3226706	ALBERO DI MISCELAZIONE	ARBRE MALAXAGE	MIXING SHAFT	MISCHERWELLE	MEZCLADOR	
9	3226560	GAMBA ANTERIORE	PIED AVANT	FRONT FOOT	VORDERER STELLFUSS	PIE DELANTERO	
10	3226561	GAMBA POSTERIORE	PIED ARRIERE	REAR FOOT	HINTERER STELLFUSS	PIE TRASERO	
11	3226664	IMPIANTO ELETTRICO	ELECTRIQUE GROUPE	ELECTRIC UNIT	ELEKTRISH BAUGRUPPE	GRUPO ELECTRICO	1106100-1106103-1106104-1106105-1106106
	3227334						1106101-1106102
12	3226665	IMPIANTO ACQUA	CIRCUIT D'EAU	WATER CIRCUIT	WASSERANLAGE	INSTALACIÓN DEL AGUA	
13	3226549	RETE	GRILLE	MESH	NETZ	REJILLA	
14	3209809	RUOTA	ROUE	WHEEL	RAD	RUEDA	SEMPN. 200X50f26.5 MOZZ
15	3214791	FINECORSA	FIN DE COURSE	LIMIT SWITCH	ENDSCHLALTER	TOPR DE RECORRIDO	
16	2226700	COPIGLIA	GOUPILLE PIN	SPLIT	SPLINT	PASADOR	
17	3223903	COPIGLIA	GOUPILLE PIN	SPLIT	SPLINT	PASADOR	
18	3226551	CAMERA DI MISCELAZIONE	CHAMBRE MALAXAGE	MIXING CHAMBER	MISCHKAMMER	CAMARA DE MEZCLADO	
19	3224203	ATTACCO RAPIDO	RAPID COUPLEUR	QUICK COUPLEUR	SHNELLKUPPLING	CONNEXION RAPIDA	M 1/2" OTTONE
20	3226559	SUPPORTO ANTERIAORE MISCELATORE	SUPPORT ARRIERE MELANGEUR	FRONT SUPPORT MIXER	VORDERER HALTERUNG MISHER	SOPORTE DELANTE-RO MEZCLADOR	
21A	3227714	TUBO ACQUA	TUYAU EAU	WATER HOSE	WASSESCHLAUSS	TUBO DE AGUA	1/2" 10BAR L.10MT
21B	3223706	TUBO ACQUA	TUYAU EAU	WATER HOSE	WASSESCHLAUSS	TUBO DE AGUA	1/2" 10BAR L.40MT
22	3236962	BLOCCAGGIO GRIGLIA	SERRUE DE LA GRILLE	MESH LOCK	GRILLSCHLOSS	BLOQUEO DE PARILLA	
23	3230084	FISSATORE ELASTICO	FIXATOR ELASTIQUE	ELASTIC FIXATOR	ELASTICHER FIXATOR	FIXATOR ELASTICO	
24	3230236	VITE	VIS	SCREW	SCHRAUBE	TORNILLO	TEFR 8X25 Z

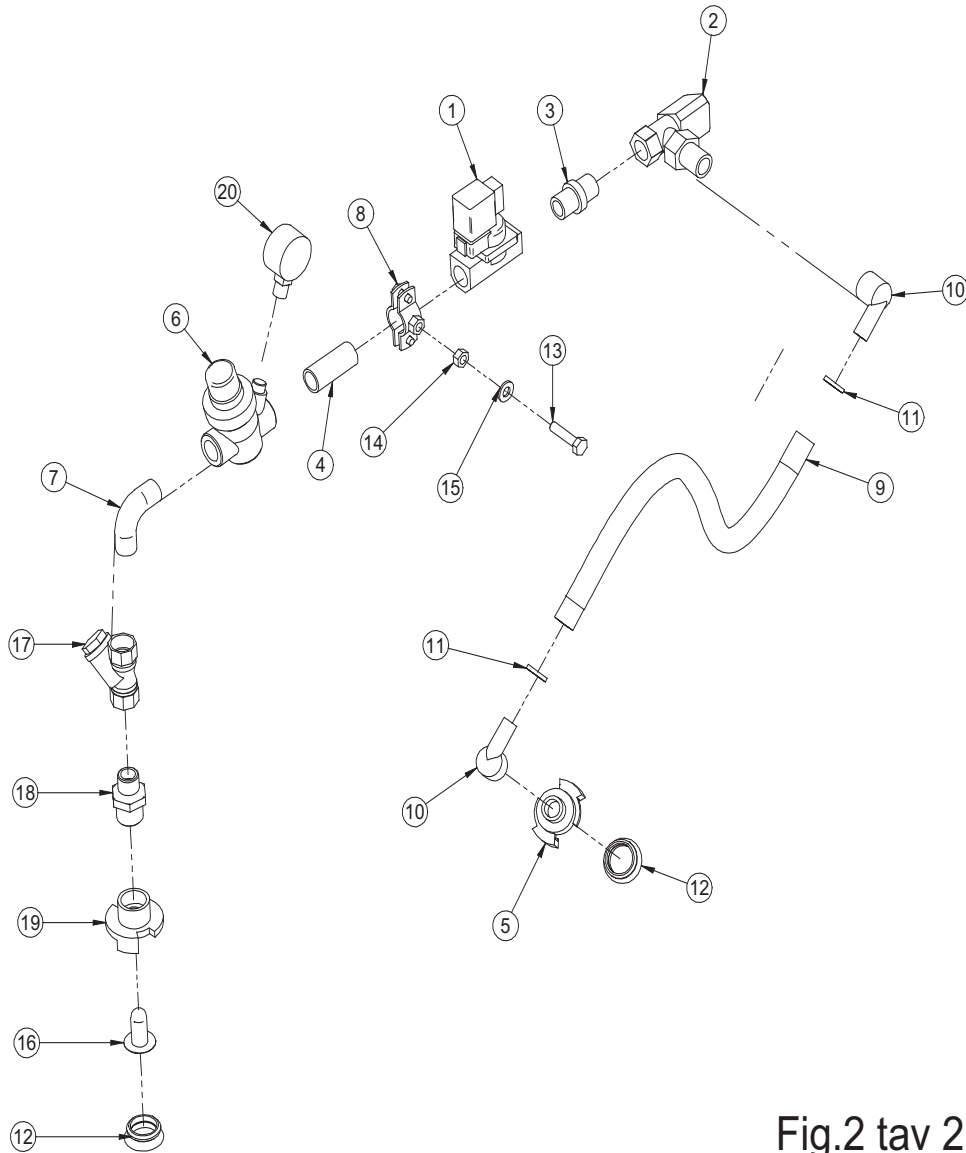


Fig.2 tav 2

TAV.2 3226665 IMPIANTO ACQUA - CIRCUIT D'EAU - WATER CIRCUIT - WASSERANLAGE - INSTALACIÓN DEL AGUA							
Rif.	Cod.	I	F	GB	D	E	NOTE
1	3227839	ELETTROVALVOLA	ÉLECTROVANNE	SOLENOID VALVE	MAGNETVENTIL	ELECTROVÁLVULA	1/2" 230V 50/60HZ
2	3223627	VALVOLA ANGOLO	SOUPAPE ANGULAIRE	ANGLE VALVE	WINKELVENTIL	VALVULA ÁNGULO	1/2"
3	3223607	NIPLES	NIPLES	NIPPLE	NIPPEL	NIPLE	1/2" OTTONE
4	3224381	TRONCHETTO	TRICOÏSES	BRANCH	BOLZEN	MANGUITO	1/2" L.50mm
5	3224203	ATTACCO RAPIDO	FIXATION RAPIDE	QUICK CONNECTOR	SCHNELLAN-SCHLUSS	CONNECTION RAPIDA	1/2" M.
6	3228211	RIDUTTORE DI PRESSIONE	RÉDUCTEUR DE PRESSION	PRESSURE REDUCER	DRUCKMINDERER	REDUCTOR DE PRESIÓN	
7	3227947	GOMITO	COUDE	ELBOW FITTING	KURVE	CODO	90° M.M. 1/2" GHISA Z
8	3226677	COLLARE	COLLIER	CLIP	SHELLE	ABRAZADERA	1/2"
9	3224608	TUBO ACQUA	TUYAU EAU	WATER HOSE	WASSERSCHLAUCH	MANGUERA AGUA	D.13X20 20BAR
10	3224580	PORTAGOMMA	PORTE-CAOUTCHOUC	HOSE FITTING	SCHLAUCHHALTER	ADAPTADOR	90° 1/2" F. D.13
11	3223638	FASCETTA AD ANELLO	COLLIER EN FORME DE BAGUE	RING CLIP	RINGSHELLE	ABRAZADERA DE ANILLO	D. 20-23
12	3223697	GUARNIZIONE ATTACCO RAPIDO	JOINT DE RACCORD EXCENTRIQUE	QUICK COUPLING GASKET	DICHTUNG SCHNELLKUPPLER	JUNTA CONEXIÓN RÁPIDA	
13	2222004	VITE	VIS	SCREW	SCHRAUBE	TORNILLO	TE 5739 M8X35 Z.
14	2223570	DADO	ECROU	NUT	MUTTER	TUERCA	M8
15	2224140	DADO	ECROU	NUT	MUTTER	TUERCA	1/8" M.
16	3223639	FILTRO	FILTRE	FILTER	FILTER	FILTRO	
17	3227840	FILTRO	FILTRE	FILTER	FILTER	FILTRO	"Y" 1/2" 200 MICRON
18	3225605	NIPLES RIDOTTO	NIPLES REDUIT	REDUCED NIPPLE	NIPPEL REDUZIERSTÜCK	NIPLE REDUCIDO	3/4" -1/2"
19	3223636	ATTACCO RAPIDO	FIXATION RAPIDE	QUICK CONNECTOR	SCHNELLAN-SCHLUSS	CONNECTION RAPIDA	3/4" F.
20	3227182	MANOMETRO	MANOMÈTRE	GAUGE	MANOMETER	MANÓMETRO	D.63 0-10 BAR 1/4" M.

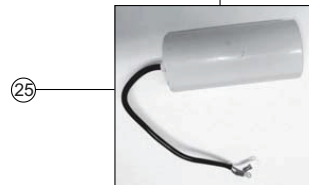
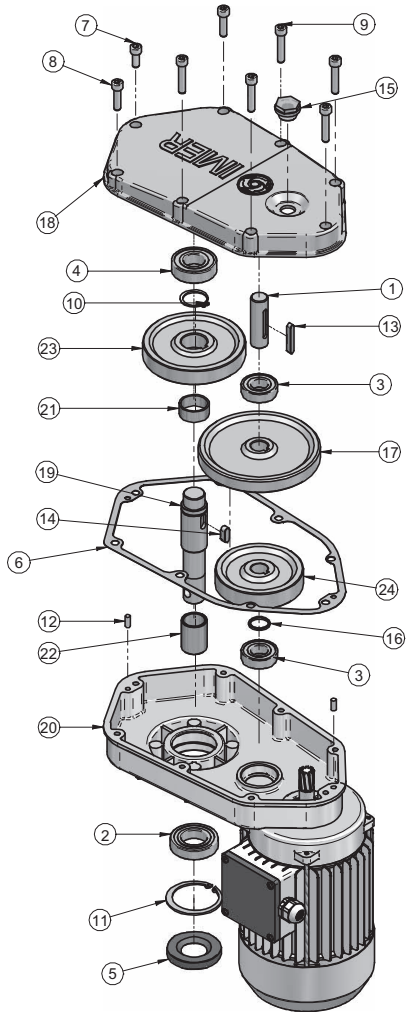


Fig.3 tav 3

TAV. 3		MOTORIDUTTORE - MOTORÉDUCTEUR - GEAR MOTOR - GETRIEBEMOTOR - MOTOREDUCTOR					NOTE
		SPIN15-SPIN 15A 230V - 50HZ cod. 3226628					
		SPIN15-SPIN 15A 230V - 60HZ cod. 3229755					
RIF.	COD.	I	F	GB	D	E	NOTE
1	2201130	PIGNONE	PIGNON	PINION	RITZEL	PIÑÓN	
2	2204220	CUSCINETTO	ROULEMENT	BEARING	LAGER	COJINETE	6206
3	2204440	CUSCINETTO	ROULEMENT	BEARING	LAGER	COJINETE	6004 2RS
4	2204550	CUSCINETTO	ROULEMENT	BEARING	LAGER	COJINETE	6205 SKF
5	2207490	ANELLO PARAOLIO	PARE-HUILE	OIL SEAL	ÖLDICHTUNG	GUARDAGOTAS	62X30X10
6	2216331	GUARNIZIONE	JOINT	GASKET	DICHTUNG	JUNTA	6204
7	2222509	VITE	VIS	BOLT	SCHRAUBE	TORNILLO	5931 M8X20 Z
8	2222513	VITE	VIS	BOLT	SCHRAUBE	TORNILLO	5931 M8X30 Z
9	2222514	VITE	VIS	BOLT	SCHRAUBE	TORNILLO	5931 M8X40 Z
10	2227340	ANELLO ARRESTO	BAGUE D'ARRET	STOP RING	SPERRING	ANILLO DE TOPE	D 30
11	2227660	ANELLO ARRESTO	BAGUE D'ARRET	STOP RING	SPERRING	ANILLO DE TOPE	D 62
12	2228820	SPINA	PIVOT	PIN	ZAPFEN	PERNO	D.2X14
13	2229327	LINGUETTA	LANGUETTE	KEY	FEDER	LENGÜETA	6X6X400
14	2229450	LINGUETTA	LANGUETTE	KEY	FEDER	LENGÜETA	8X7X20
15	2235420	LIVELLO OLIO	NIVEAU HUILLE	OIL LEVEL PLUG	SCHAUGLAS	NIVEL ACEITE	
16	2237301	DISTANZIALE	ENTRETOISE	SPACER BRACKET	DISTANZHULSE	ESPACIADOR	20X2
17	3234948	INGRANAGGIO	ENGRENAGE	GEAR	ZAHNRAD	ENGRANAJE	Z.76 M.1.75
18	3225254	FLANGIA RIDUTTORE	BRIDE REDUCTEUR	REDUCTION REAR FLANGE	FLANSCH	BRIDA DEL REDUCTOR	
19	3226623	ALBERO	ARBRE	SHAFT	WELLE	EJE	EIXO
20	3226629	MOTORE ELETTRICO	MOTEUR	ELECTRIC MOTOR	KOMPLETTER MUTTER	MOTOR ELECTRICO	1.4KW 230V 50HZ
	1.4KW 220V 60HZ						
21	3226630	DISTANZIALE	ENTRETOISE	SPACER BRACKET	DISTANZHULSE	ESPACIADOR	35X31X14.5
22	3226631	ANELLO	BAGUE	RING	RING	ANILLO	25X30X38.5
23	3226632	INGRANAGGIO	ENGRENAGE	GEAR	ZAHNRAD	ENGRANAJE	Z.55 M2 TEMP 230V/50HZ
	Z.59 M.2 TEMP 220V/60HZ						
24	3226633	INGRANAGGIO	ENGRENAGE	GEAR	ZAHNRAD	ENGRANAJE	Z.47 M2 TEMP 230V/50HZ
	3229749						Z.43 M.2 TEMP 220V/60HZ
25	3230846	CONDENSATORE	CONDENSATEUR	CAPACITOR	KONDENSATOR	CONDENSADOR	
26	3230847	SCATOLA ELETTRICA + COPERCHIO	CAISSE ELECTRIQUE + COUVERCLE	ELECTRICAL BOX + COVER	ELEKTRISCH BOX+DECKEL	CAJON ELECTRICO + TAPA	

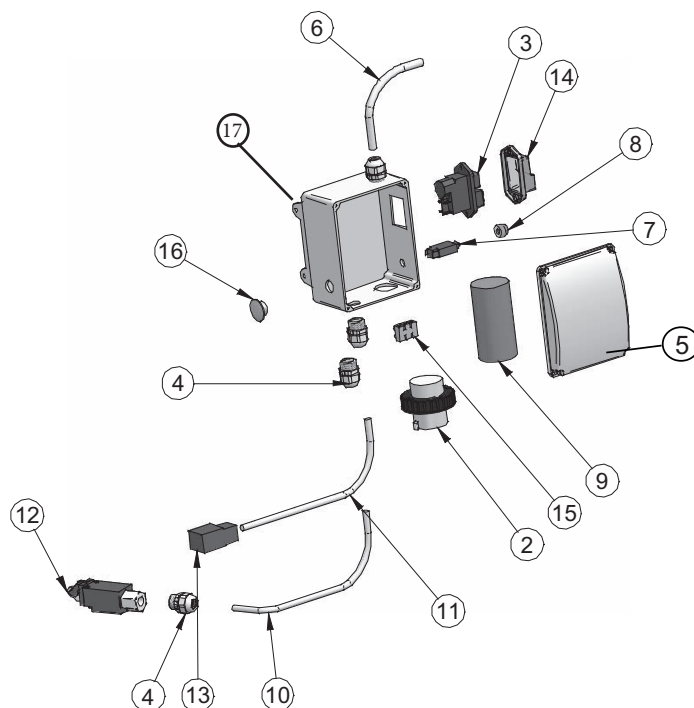


Fig.4 tav 4

**TAV. 4**

IMPIANTO ELETTRICO-ELECTRIQUE GROUPE-ELECTRIC-ELEKTRISH HAUGRUPPE-GRUPO ELECTRICO SPIN 15 230V 50V-60HZ COD.3226664							NOTE
RIF.	COD.	I	F	GB	D	E	
2	3226018	SPINA	FICHE	PLUG	STECKER	ENCHUFE	CEE 16A 2P+T IP67 230V
3	3209337	INTERRUTTORE	INTERRUPTEUR	SWITCH	SCHALTER	INTERRUPTOR	PG 13.5
4	1283924	PRESSACAVO	SERRE-CABLE	CABLE CLAMP	KABELKLEMME	PRENSACABLE	PG 13.5
5	3226046	COPERCHIO	COUVERCLE	COVER	DECKEL	TAPA	
6	2277798	CAVO ELETTRICO MOTORE	CABLE	ELECTRIC CABLE	KABEL	ALARGADOR ELÉCTRICO	H07RNF 5x1
7	2283239	INTERRUTTORE TERMICO	INTERRUPTEUR TERMIQUE	THERMIC SWITCH	THERMAL SCHALTER	INTERRUPTOR TERMICO	
8	2283243	CAPPUCCIO RESET TERMICO	PROTECTION THERMIQUE RESET	THERMIC RESET PROTECTION	THERMAL RESET SCHALTER	PROTECTION RESET TERMICO	
9	3209504	CONDENSATORE	CONDENSATEUR	CAPACITOR	KONDENSATOR	CONDENSADOR	50mF 230v/50hZ
10	2277645	CAVO ELETTRICO FINE CORSA	CABLE	ELECTRIC CABLE	KABEL	ALARGADOR ELÉCTRICO	H07RNF 2x1.5
11	2277650	CAVO ELETTRICO ELETTROVALVOLA	CABLE	ELECTRIC CABLE	KABEL	ALARGADOR ELÉCTRICO	H07RNF 3x1.5
12	3214791	FINECORSA	FIN DE COURSE	LIMIT SWITCH	ENDSCHLALTER	TOPR DE RECORRIDO	
13	3226204	CONETTORE ELETTROVALVOLA	CONNECTEUR ELECTROVALVE	SOLENOID CONNECTON	STECKVERBINDER MAGNETVENTIL	CONNECTOR ELECTROVALVULA	L 140
14	3209340	PROTEZIONE INTERRUTTORE	PROTECTION INTERRUPTEUR	SWITCH PROTECTION	SCUTZ SCHALTER	PROTECCION INTERRUPTOR	
15	2281930	NUMERO 4 MMMUT					
16	3227349	TAPPO CON DADO + GUARNIZIONE	BOUCHON	PLUG	VERSCHLUSS	TAPON	
17	3234051	SCATOLA ELETTRICA + COPERCHIO	CAISSE ELECTRIQUE + COUVERCLE	ELECTRICAL BOX + COVER	ELEKTRISCH BOX+DECKEL	CAJON ELECTRICO + TAPA	

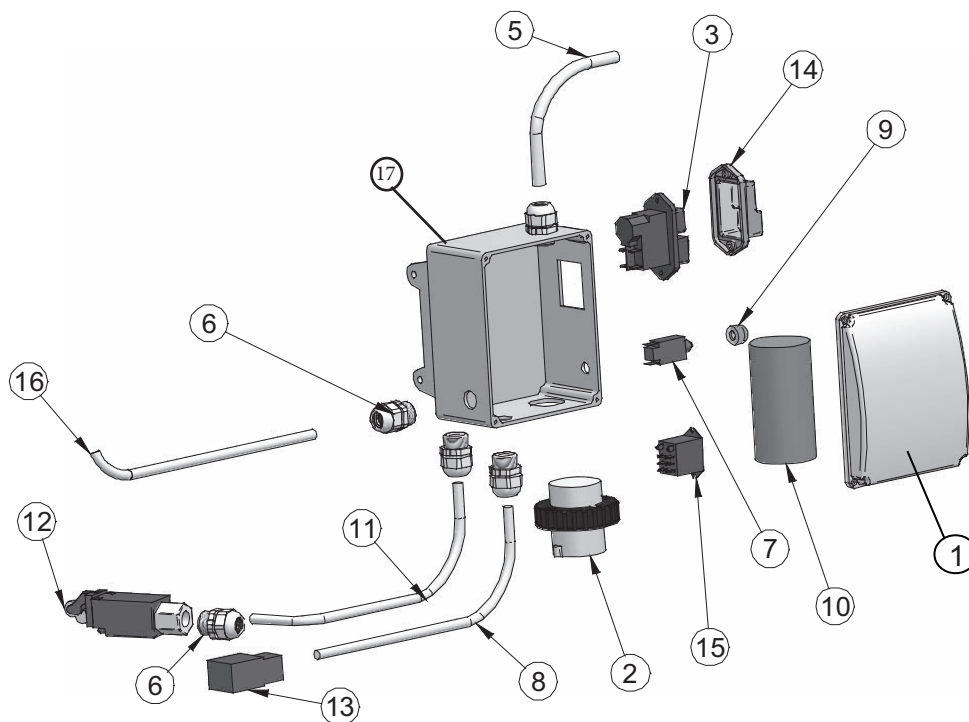


Fig.5 Tav 5

**TAV.5**

**IMPIANTO ELETTRICO-ELECTRIQUE GROUPE-ELECTRIC-ELEKTRISH HAUGRUPPE-GRUPO ELECTRICO  
SPIN 15A 230V 50V-60HZ COD.3227334**

RIF.	COD.	I	F	GB	D	E	NOTE
1	3226046	COPERCHIO	COUVERCLE	COVER	DECKEL	TAPA	
2	3226018	SPINA	FICHE	PLUG	STECKER	ENCHUFE	CEE 16A 2P+T IP67 230V
3	3209337	INTERRUTTORE	INTERRUPTEUR	SWITCH	SCHALTER	INTERRUPTOR	
5	2277798	CAVO ELETTRICO MOTORE	CABLE	ELECTRIC CABLE	KABEL	ALARGADOR ELÉCTRICO	H07RNF 5x1
6	1283924	PRESSACAPO	SERRE-CABLE	CABLE CLAMP	KABELKLEMME	PRENSACABLE	PG 13.5
7	2283239	INTERRUTTORE TERMICO	INTERRUPTEUR TERMIQUE	THERMIC SWITCH	THERMAL SCHALTER	INTERRUPTOR TERMICO	H07RNF 5x1
8	2277650	CAVO ELETTRICO ELETTROVALVOLA	CABLE	ELECTRIC CABLE	KABEL	ALARGADOR ELÉCTRICO	H07RNF 2x1.5
9	2283243	CAPPUCCIO RESET TERMICO	PROTECTION THERMIQUE RESET	THERMIC RESET PROTECTION	THERMAL RESET SCHALTER	PROTECTION RESET TERMICO	
10	3209504	CONDENSATORE	CONDENSATEUR	CAPACITOR	KONDENSATOR	CONDENSADOR	
11	2277645	CAVO ELETTRICO FINE CORSA	CABLE	ELECTRIC CABLE	KABEL	ALARGADOR ELÉCTRICO	50mF 230v/50hZ
12	3214791	FINECORSA	FIN DE COURSE	LIMIT SWITCH	ENDSCHLALTER	TOPR DE RECORRIDO	H07RNF 3x1.5
13	3226204	CONETTORE ELETTROVALVOLA	CONNECTEUR ELECTROVALVE	SOLENOID CONNECTON	STECKVERBINDER MAGNETVENTIL	CONNECTOR ELECTROVALVULA	L140
14	3209340	PROTEZIONE INTERRUTTORE	PROTECTION INTERRUPTEUR	SWITCH PROTECTION	SCUTZ SCHALTER	PROTECCION INTERRUPTOR	
15	3227335	RELE'	RELAIS	RELAY	RELAIS	RELE'	
16	2277650	CAVO ELETTRICO POMPA	CABLE	ELECTRIC CABLE	KABEL	ALARGADOR ELÉCTRICO	H07RNF 3x1.5
17	3234051	SCATOLA ELETTRICA + COPERCHIO	CAISSE ELECTRIQUE + COUVERCLE	ELECTRICAL BOX + COVER	ELEKTRISCH BOX+DECKEL	CAJON ELECTRICO + TAPA	

**POMPA ACQUA - POMPE - WATER PUMP - PUMPE - BOMBA**  
**SPIN 15-A 230V 50Hz - SPIN 15-A 220V 60Hz**

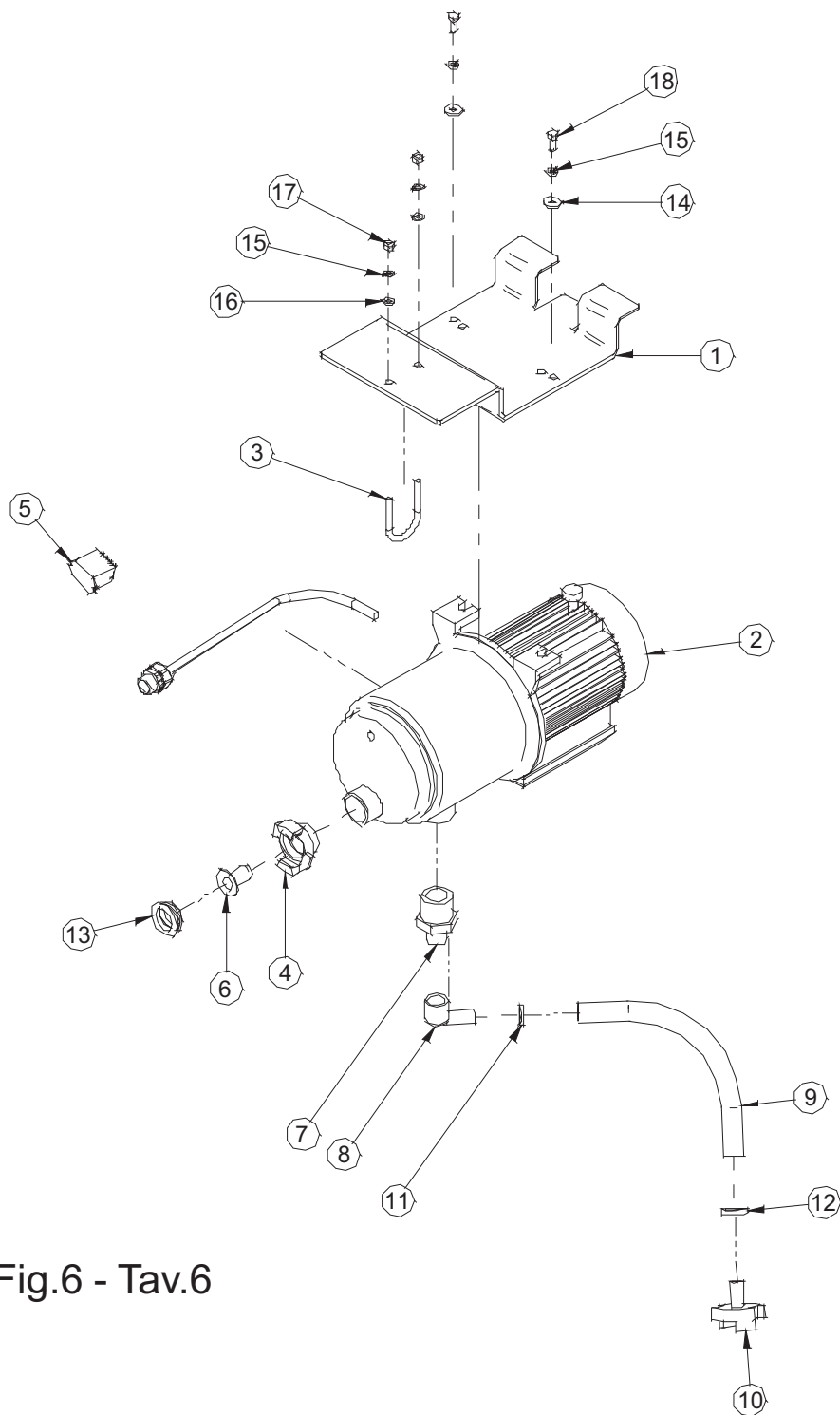


Fig.6 - Tav.6

**1107582**  
**KIT POMPA ACQUA - POMPE - KIT WATER PUMP - PUMPE - BOMBA**  
**SPIN 15-A 230V 50Hz**

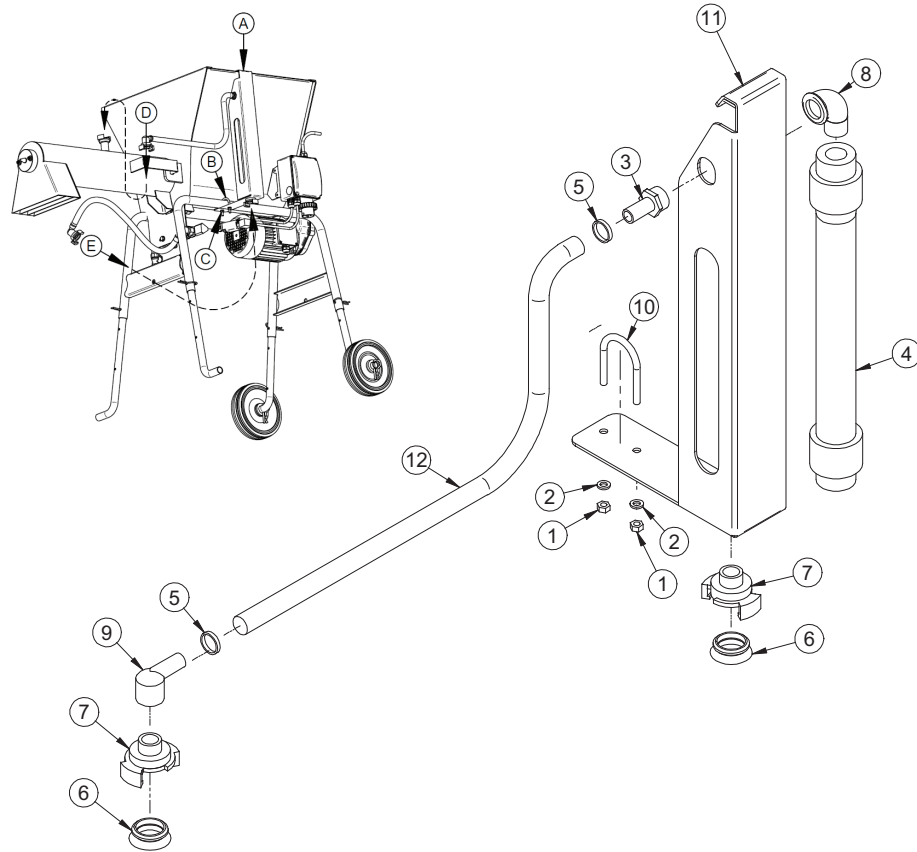


TAV. 6: POMPA ACQUA - POMPE - WATER PUMP - PUMPE - BOMBA

Rif.	Cod.	I	F	GB	D	E	NOTE
1	3227387	LAMIERA SUPPORTO POMPA	TOLE DE SUPPORT	SUPPORT PLATE	HALTERUNGSBLECH	CHAPA DE SOPORTE	
2	3227460 3229344	POMPA	POMPE	PUMP	PUMPE	BOMBA	230V 50Hz 220v 60Hz
3	3227431	COLLARE ZINCATO	COLLIER	CLIP	SHELLE	ABRAZADERA	M6 DI 35 H61
4	3223722	ATTACCO RAPIDO	FIXATION RAPIDE	QUICK CONNECTOR	SCHNELLANSCHLUSS	EMPALME RÁPIDO	1" M OTTONE
5	3227388	KIT CABLAGGIO POMPA ACQUA	KIT CABLAGE POMPE	PUMP WIRING KIT	KIT VERDRÄHTUNG PUMPE	KIT CABLEADO BOMBA	
6	3223639	FILTRO	FILTRE	FILTER	FILTER	FILTRO	
7	3224349	NIPLES RIDOTTO	NIPLES REDUIT	REDUCED NIPPLE	NIPPEL REDUZIER-STÜCK	NIPLE REDUCIDO	1" - 1/2"
8	3224580	PORTAGOMMA	PORTE-CAOUTCHOUC	HOSE FITTING	SCHLAUCHHALTER	ADAPTADOR	90° 1/2" F. D13
9	3224608	TUBO AIR WATER	TUYAU EAU	WATER HOSE	WASSERSCHLAUCH	TUBO DE AGUA	
10	3223615	ATTACCO RAPIDO CON PORTAGOMMA	FIXATION RAPIDE	QUICK CONNECTOR	SCHNELLANSCHLUSS	EMPALME RÁPIDO	D13 OTTONE
11	3223638	FASCETTA AD ANELLO	COLLIER EN FORME DE BAGUE	RING CLIP	RINGSHELLE	ABRAZADERA DE ANILLO	D. 20-23
12	3225073	FASCETTA AD ANELLO	COLLIER EN FORME DE BAGUE	RING CLIP	RINGSHELLE	ABRAZADERA DE ANILLO	D. 17-20
13	3223697	GUARNIZIONE ATTACCO RAPIDO	JOINT DE RACCORD EXCENTRIQUE	QUICK COUPLING GASKET	DICHTUNG SCHNELLKUPPLER	JUNTA CONEXIÓN RÁPIDA	
14	2224204	RONDELLA	RONDELLE	WASHER	ANTERLEGSCHLEIBE	ARANDELA	M8X24Z
15	2224060	ROSETTA GROWER	RONDELLE GROWER	GROWER WASHER	GROWER-UNTERLEGSCHLEIBE	ARANDELA GROWER	D8 Z
16	2224530	RONDELLA	RONDELLE	WASHER	ANTERLEGSCHLEIBE	ARANDELA	M6X12Z S1.6
17	2223280	DADO	ECROU	NUT	MUTTER	TUERCA	M6Z
18	2222076	VITE	VIS	SCREW	SCHRAUBE	TORNILLO	TE 5739 M8X24 Z.

**1107601**  
**KIT FLUSSIMETRO - KIT FLUXMETRE - KIT FLOW METER**  
**KIT DURCHFLUSSMESSER - KIT CAUDALIMETRO**

**Tav.7**



TAV.7: 1107601							
KIT FLUSSIMETRO - KIT FLUXMETRE - KIT FLOW METER							
KIT DURCHFLUSSMESSER - KIT CAUDALIMETRO							
Rif.	Cod.	I	F	GB	D	E	NOTE
1	2223280	DADO	ECROU	NUT	MUTTER	TUERCA	M6Z
2	2224530	RONDELLA	RONDELLE	WASHER	ANTERLEGSSCHEIBE	ARANDELA	M6X12Z S1.6
3	3223613	PORTAGOMMA	PORTE-CAOU-TCHOU	HOSE FITTING	SCHLAUCHHALTER	ADAPTADOR	M 1/2" D.13
4	3223633	FLUSSIMETRO	FLUXMETRE	FLOWMETER	DURCHFLUSSMESSER	CAUDALIMETRO	1/2" 150-1000 L/h
5	3223638	FASCETTA AD ANELLO	COLLIER EN FORME DE BAGUE	RING CLIP	RINGSCHELLE	ABRAZADERA DE ANILLO	D. 20-23
6	3223697	GUARNIZIONE ATTACCO RAPIDO	JOINT DE RACCORD EXCENTRIQUE	QUICK COUPLING GASKET	DICHTUNG SCHNELLKUPPLER	JUNTA CONEXIÓN RÁPIDA	
7	3224203	ATTACCO RAPIDO	FIXATION RAPIDE	QUICK CONNECTOR	SCHNELLANSCHLUSS	EMPALME RÁPIDO	1/2" M.
8	3224351	GOMITO 90°	COUDE 90°	90° ELBOW FITTING	90°-KURVE	CODO 90°	1/2" M.F.
9	3224580	PORTAGOMMA	PORTE-CAOU-TCHOU	HOSE FITTING	SCHLAUCHHALTER	ADAPTADOR	90° 1/2" F. D13
10	3227431	COLLARE ZINCATO	COLLIER	CLIP	SHELLE	ABRAZADERA	M6 DI 35 H61
11	3230844	SUPPORTO FLUSSIMETRO	SUPPORT FLUXMETRE	SUPPORT FLOWMETER	MOUNT FLOWMETER	SOPORTE CAUDALIMETRO	1/2" 150-1000 L/h
12	3230849	TUBO AIR WATER	TUYAU EAU	WATER HOSE	WASSERSCHLAUCH	TUBO DE AGUA	13 BAR 13X20 L.860